

# LOSCAM

*Your Pooling Solutions Partner*

## Loscam IBC I8



Product code: I8



[www.loscam.com](http://www.loscam.com)



NZ Customer Service: 0800 Loscam (567226)

# Loscam IBC I8

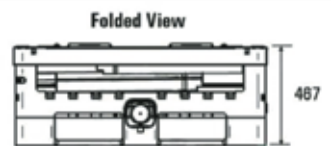
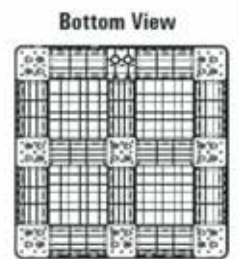
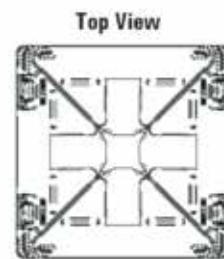
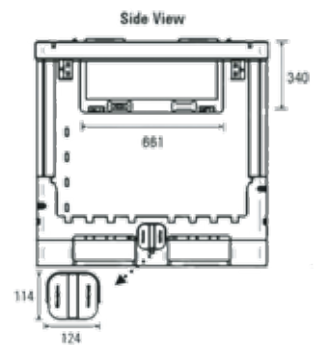
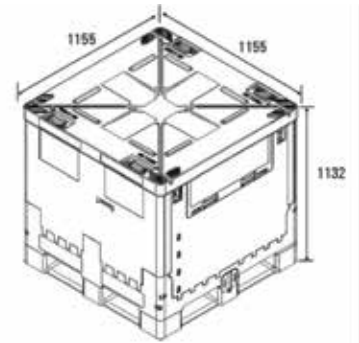
The Loscam Foldable Plastic Liquid Intermediate Bulk Container (IBC) - I8 is developed specially for the food industry such as fruit juice, dairy, vegetable oil etc. The lightweight and foldable container features a hygienic efficient “bag in box” system which is easy to fill, discharge and transport. The half folding front “drop gate” enables ease of access and the sight glass provides clear view of the product. I8 is extremely cost-effective for its 2.5 to 1 return ratio.

## Benefits:

- Easy to fill, discharge and transport
- Half folding front “drop gate” allows ease of access
- Sight glass provides clear view of product level
- Tamper evident and lockable lid assures product safety
- Freezer compatible and UV resistant
- 2.5:1 folding ratio saves cost in transport and storage
- Can be enabled with a Loscam Track & Trace locational device, connected to the Loscam Live tracking platform

## Specifications:

Overall Size:	External - 1155 mm(L) x 1155 mm(W) x 1132 mm(H) Internal - 1065 mm(L) x 1045 mm(W) x 940 mm(H)
Tare Weight:	90 kg
Capacity:	1,060 litre
Loading Capacity:	1,400 kg
Stacking Capacity:	<ul style="list-style-type: none"><li>• Static- 5 high when loaded, 10 high when folded</li><li>• Dynamic- 2 high when loaded</li></ul>
Material:	Food-grade Polypropylene
Forklift Access:	4-way entry
Uses:	Suitable for food industry including fruit juices, dairy, fats, oils, honey & syrups, mayonnaise, wine, vinegar and the pharmaceutical industry



Copyright © LOSCAM. All Right Reserved.  
© Loscam International Holdings Co., Limited

# LOSCAM

**New Zealand**  
12 Chonny Crescent  
Manurewa, Auckland 2102  
Ph: 09 269 0566  
Fax: 09 622 3090