

LOSCAM

Your Pooling Solutions Partner

Loscam GPAK G5



Product code: G5



www.loscam.com



NZ Customer Service: 0800 Loscam (567226)

Loscam GPAK G5

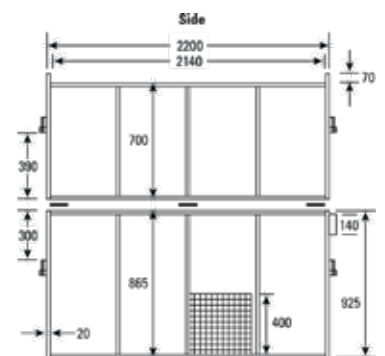
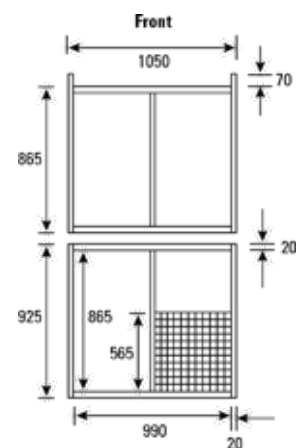
Loscam G5s provide the ideal solution for hanging garment distribution and freight that poses height and length challenges. High-value products are protected by the unique locking system in addition to zero visibility of the contents inside the assembled unit. GPAKs are ideal for converting difficult-to-ship freight into optimal shipping units.

Benefits:

- Folded to upright in 50 seconds, collapsed in less than 30 seconds
- Erected by a single person without using tools
- One-piece foldable units with attached lids
- Modular design
- Ergonomic
- Walk-in door, mitigates leaning over drop gate
- Increased security, products inside units are not visible
- Reduce theft and products replacement costs
- Stackable/ foldable
- Can be enabled with a Loscam Track & Trace locational device, connected to the Loscam Live tracking platform

Specifications:

Overall Size:	Erected - 2300 mm(L) x 1150 mm(W) x 2000 mm(H) Collapsed - 2300 mm(L) x 1150 mm(W) x 430 mm(H)
Tare Weight:	200 kg
Gross Weight:	4.16 m ³ / 1,500 kg
Material / Construction Characteristics	<ul style="list-style-type: none">• High tensile galvanised steel• Smooth internal plastic lining• Lightweight• Stackable for storage
Forklift Access:	4-way entry
Uses:	<ul style="list-style-type: none">• Storage, transport and distribution of products that require special care or difficult to handle• Applicable for automotive, pharmaceutical, fashion, agriculture, electronic and transportation industries



Copyright © LOSCAM. All Right Reserved.
© Loscam International Holdings Co., Limited

LOSCAM

New Zealand
12 Chonny Crescent
Manurewa, Auckland 2102
Ph: 09 269 0566
Fax: 09 622 3090