

LOSCAM

Your Pooling Solutions Partner

Loscam Display Pallet



Product code: ADP



www.loscam.com



AUS Customer Service: 1300 309 930

Loscam Display Pallet

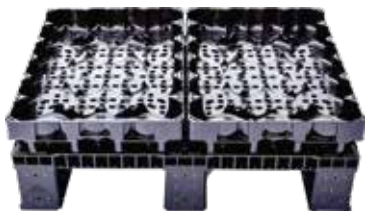
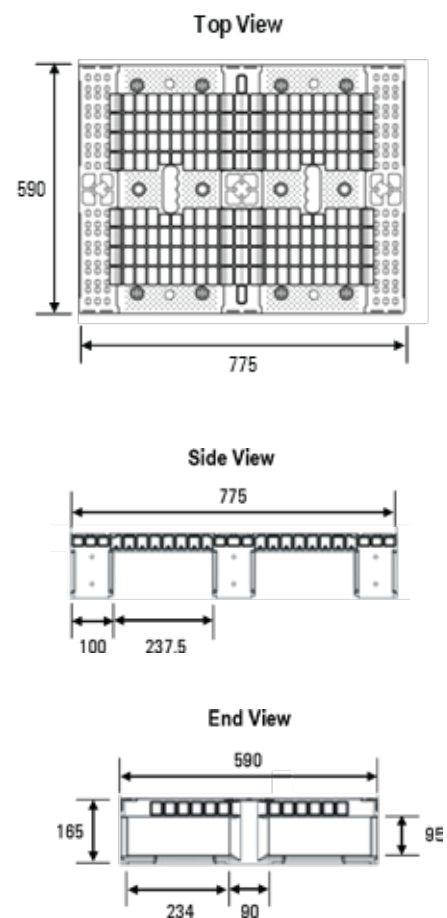
The Loscam Display Pallet has been developed with the particular needs of our customers in mind. The Display Pallet is ideal for storing, moving and displaying high velocity products direct to retail floor, reducing handling, improving product quality and increasing replenishment efficiency.

Benefits:

- Complies with Australian standards and regulations
- Designed for automated handling
- Corrosion proof construction (can be steam cleaned)
- Do not absorb moisture or contaminants
- Ergonomic for easy pickup
- Compatible with Loscam Beverage Tray and RPC Crates

Specifications:

- Overall Size: 775 mm (L) x 590 mm (W) x 165 mm (H)
- Tare Weight: 8.7 kg
- Safe Working Load: 750 kg
- Construction Material:
 - Injection moulded one piece in Co-Polymer Polypropylene
 - Manufactured from virgin polypropylene first grade material
- Material Characteristics:
 - Splinter free UV stabilised
 - Temperature range of -4 °C to +60 °C anti-slip deck
 - Rubber grommets located to reduce slippage
- Forklift Access:
 - 4-way entry points
 - Stackable and rackable with slave pallet
- Uses:
 - Specially made for the food and beverage industries
 - Ideal for Retail Display



Beverage Trays on Display Pallet

LOSCAM

Australia
 Level 1/37-41
 Prospect St Box Hill
 Victoria 3128
 Ph: 61 3 9843 3700
 Fax: 61 3 9843 3701

Victoria / Tasmania
 51-65 Nathan Rd
 Dandenong South
 Victoria 3175
 Ph: 61 3 9 794 9898
 Fax: 61 3 9794 0158

New South Wales
 54 Tyrone Place
 Erskine Park
 NSW 2759
 Ph: 61 2 8047 9510
 Fax: 61 2 8047 9506

Queensland
 55 Whitelaw place
 Richlands
 QLD-4077
 Ph: 61 7 3718 0100
 Fax: 61 7 3718 0120

South Australia
 196-214 Cormack Rd
 Wingfield
 SA 5013
 Ph: 61 8 8243 0300
 Fax: 61 8 8243 0099

Western Australia
 280 Bannister Rd
 Canning Vale
 WA 6155
 Ph: 61 8 6103 6000
 Fax: 61 8 9455 6222