

# LOSCAM

*Your Pooling Solutions Partner*

## Loscam GPAK G1



Product code: G1



[www.loscam.com](http://www.loscam.com)



AUS Customer Service: 1300 309 930

# Loscam GPAK G1

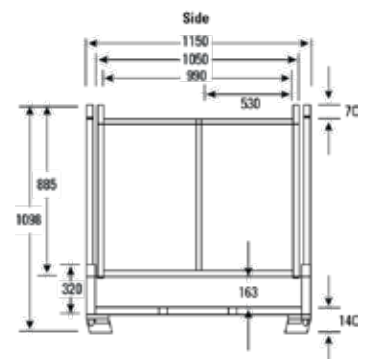
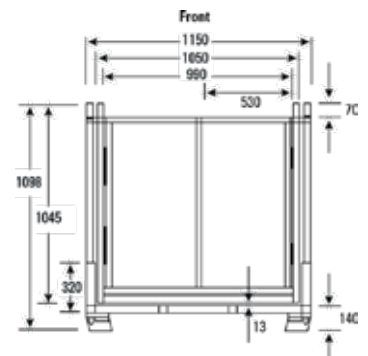
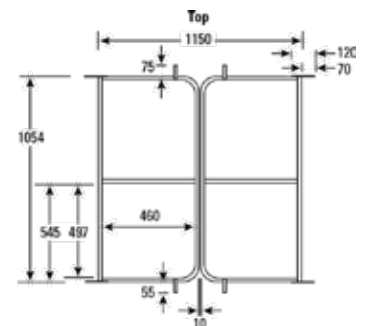
Loscam G1s are ideal for the movement and storage of high-value products, and at the same time, they are designed to maximise cubic utilisation of all modes of transport. Their easy-to-assemble one-piece construction maximises productivity in picking operations and allows for maximum vehicle utilisation on the reverse logistics leg.

## Benefits:

- Folded to upright in 50 seconds, collapsed in less than 30 seconds
- Erected by a single person without using tools
- One-piece foldable units with attached lids
- Modular design
- Ergonomic
- Walk-in door, mitigates leaning over drop gate
- Increased security, products inside units are not visible
- Reduce theft and products replacement costs
- Stackable/ foldable
- Can be enabled with a Loscam Track & Trace locational device, connected to the Loscam Live tracking platform

## Specifications:

Overall Size:	Erected - 1150 mm(L) x 1150 mm(W) x 1200 mm(H) Collapsed - 1150 mm(L) x 1150 mm(W) x 410 mm(H)
Tare Weight:	100 kg
Gross Weight:	1.10 m <sup>3</sup> / 1,500 kg
Material Characteristics:	<ul style="list-style-type: none"> <li>• High tensile galvanised steel</li> <li>• Smooth internal plastic lining</li> <li>• Lightweight</li> <li>• Stackable for storage</li> </ul>
Forklift Access:	4-way entry
Uses:	<ul style="list-style-type: none"> <li>• Storage, transport and distribution of products that require special care or difficult to handle</li> <li>• Applicable for automotive, pharmaceutical, fashion, agriculture, electronic and transportation industries</li> </ul>



# LOSCAM

### Australia

Level 1/37-41  
Prospect St Box Hill  
Victoria 3128  
Ph: 61 3 9843 3700  
Fax: 61 3 9843 3701

### Victoria / Tasmania

51-65 Nathan Rd  
Dandenong South  
Victoria 3175  
Ph: 61 3 9 794 9898  
Fax: 61 3 9794 0158

### New South Wales

54 Tyrone Place  
Erskine Park  
NSW 2759  
Ph: 61 2 8047 9510  
Fax: 61 2 8047 9506

### Queensland

55 Whitelaw place  
Richlands  
QLD-4077  
Ph: 61 7 3718 0100  
Fax: 61 7 3718 0120

### South Australia

196-214 Cormack Rd  
Wingfield  
SA 5013  
Ph: 61 8 8243 0300  
Fax: 61 8 8243 0099

### Western Australia

280 Bannister Rd  
Canning Vale  
WA 6155  
Ph: 61 8 6103 6000  
Fax: 61 8 9455 6222