

LOSCAM

Your Pooling Solutions Partner

Loscam Wooden Pallets - Asia



Model: WP Asia



www.loscam.com

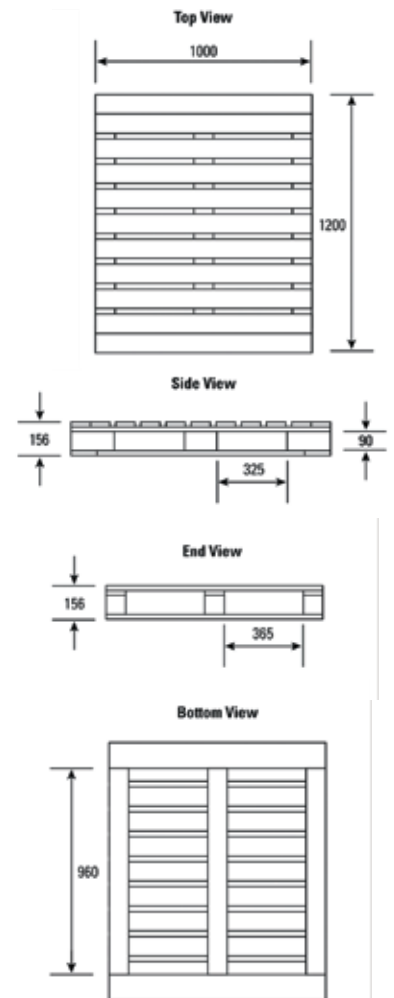
Loscam Wooden Pallet - Asia

Benefits of Loscam

- Loscam pallets are available when and where you need them
- ECR approved design - industry standard for retail pallet pooling
- Pallet Hire Management System (HMS) enables customers to track pallets movement between trading partners

Specifications:

Overall Size:	1200 mm(L) x 1000 mm(W) x 156 mm(H)
Tare Weight:	28 kg*
Safe working Load:	1000 kg
Forklift Access:	<ul style="list-style-type: none">• 4-way entry points• Stackable/ rackable
Uses:	<ul style="list-style-type: none">• Storage for all types of products• Movement of products between factories and warehouses• Transfer of products to retailers• Ideal for pallet magazines and automated production lines



Copyright © LOSCAM. All Right Reserved.
© Loscam International Holdings Co., Limited

LOSCAM

South East Asia

Regional Office

14th Floor, Lumpini Tower
1168/96 Rama IV Rd
Tungmahamek
Sathorn, Bangkok
10120 Thailand
Ph: 66 2613 0700
Fax : 66 2613 0799

Malaysia

Lot 22, Jalan Playar 15/1
Seksyen 15, Shah Alam ,
Selangor, 40200 Malaysia
Ph: 60 3 5511 7066
Fax: 60 3 5511 7062

Thailand

169/3 – 14 , Moo 5 T. Lumsai
Aumthur Wang Noi
Ayutthaya 13170, Thailand
Ph: 66 3527 6888
Fax : 66 3527 6897 (Operations)
66 3527 6898-9 (Customer Services)

Philippines

Suite 301 Common Goal Tower
Finance Corner Industry Streets
Madrigal Business Park
Ayala Alabang Muntinlupa City
1770 Philippines
Ph: 63 8842 7878

Vietnam

Room 603B, 6/F
Centre Point Building
106 Nguyen Van Troi Street
Ward 8, Phu Nhuan District, HCMC
Ph: 84 28 3999 0702/03/04
Fax: 84 28 3999 0701

Singapore

37 Joo Koon Circle, Jurong
Singapore 629062
Ph: 65 6863 0316
Fax: 65 6863 0312