

LOSCAM

Your Pooling Solutions Partner

Loscam Collars and Lids



Product code: CS CL



www.loscam.com



AUS Customer Service: 1300 309 930

Loscam Collars and Lids

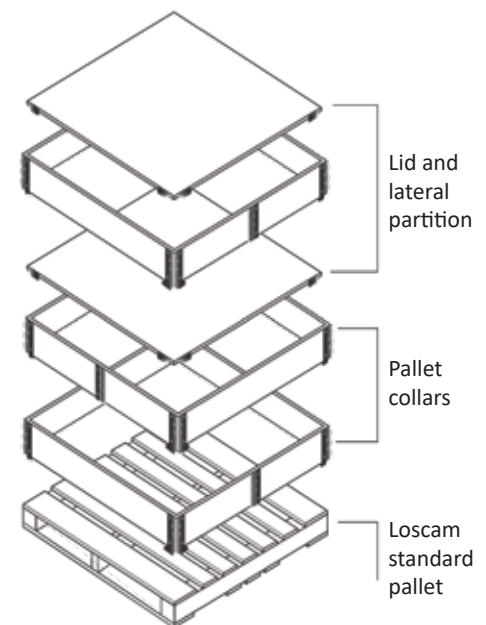
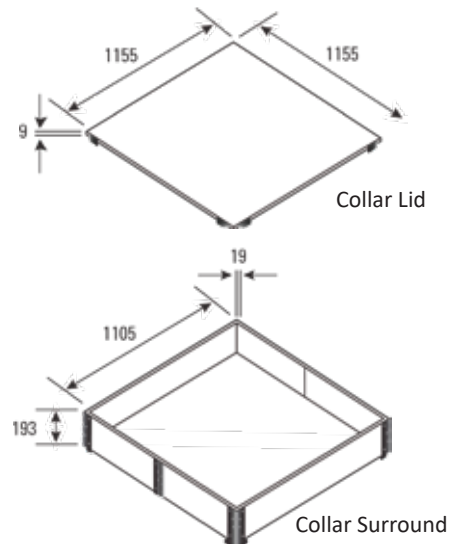
Loscam Collars and Lids are an innovative way of transforming pallets into containers for the movement of fragile or cartonised freight without the need for costly shrinkwrap. Easily added to a Loscam wooden pallet, they can be built up to any specification using a combination of collars and lids to create shelves within the unit. They support top loading and are completely collapsible to minimise the cost of reverse logistics.

Benefits:

- Turns a pallet into containers by directly attaching collars on a standard wooden pallet
- Eliminates cartons and shrinkwrap
- Reduce the risk of manual handling injury
- Collars can be built up around product size and are strong enough to support top loading
- Lateral partitions separate products, minimise crushing and ensure security of valuable products
- Collapsability minimises storage and transport costs, quick to re-engage

Specifications:

Overall Size Erect:	1155 mm(L) x 193 mm(W) x 220 mm(H) Pallet-Collar Lid & Lateral Partition sheet of plywood 1155 mm(L) x 1155 mm(W) x 9 mm(H)
Overall Size Collapsed:	Each side 1105 mm (L) x 193 mm (W) x 76 mm (H)
Tare Weight:	Collar - 9.5kg Lid - 5 kg
Gross Weight:	Stackable to carry up to 6,000 kg side bearing load
Construction Material:	Kiln-dried dressed pine timber with bevelled edges
Material/ Construction Characteristics:	<ul style="list-style-type: none"> • Hinges are galvanised pressed metal with a spiral locking pin • 4 x galvanised pressed metal right-angle corner pieces lock the lid over the pallet collars
Forklift Access:	<ul style="list-style-type: none"> • As per wooden pallet • 2-way entry points
Uses:	<ul style="list-style-type: none"> • Multiple products per pallet • Flexible configuration to suit your product requirements



LOSCAM

Australia
Level 1/37-41
Prospect St Box Hill
Victoria 3128
Ph: 61 3 9843 3700
Fax: 61 3 9843 3701

Victoria / Tasmania
51-65 Nathan Rd
Dandenong South
Victoria 3175
Ph: 61 3 9 794 9898
Fax: 61 3 9794 0158

New South Wales
54 Tyrone Place
Erskine Park
NSW 2759
Ph: 61 2 8047 9510
Fax: 61 2 8047 9506

Queensland
55 Whitelaw place
Richlands
QLD-4077
Ph: 61 7 3718 0100
Fax: 61 7 3718 0120

South Australia
196-214 Cormack Rd
Wingfield
SA 5013
Ph: 61 8 8243 0300
Fax: 61 8 8243 0099

Western Australia
280 Bannister Rd
Canning Vale
WA 6155
Ph: 61 8 6103 6000
Fax: 61 8 9455 6222